

NOTES:

1.MATERIAL SPECIFICATION

- 1-1.HOUSING: LCP+30% G.F
- 1-2.CONTACT: C5191-H T=0.15mm.
- 1-3.SHELL: SUS304-1/2H T=0.30mm.
- 1-4.MYLAR: KAPTON BASE, POLYIMIDE TAPE.

2.PLATING SPECIFICATION

- 2-1.CONTACT: NI40u" UNDER PLATED,GOLD FLASH PLATED ON THE FUNCTIONAL AREA OF CONTACT,GOLD PLATING OR TIN ON SOLDER AREA.
- 2-2.SHELL: NICKEL PLATED.

3.MECHANICAL PERFORMANCE

- 3-1.INSERTION FORCE: 44.1N (4.5 KGF) MAX.
- 3-2.WITHDRAWAL FORCE: 4.9N~25N(0.5KGF~2.5KGF).
- 3-3.DURABILITY: 5000 CYCLES.

4.ELECTRICAL PERFORMANCE

- 4-1.CURRENT RATING: 0.3A.
- 4-2.LLCR: CONTACT: 30 mΩ MAX(INITIAL), SHELL: 50 mΩ MAX(INITIAL).
- 4-3.INSULATION RESISTANCE:

A:UNMATED: 100 MΩ MIN. AT 500V DC.

B:MATED: 10 MΩ MIN. AT 150V DC.

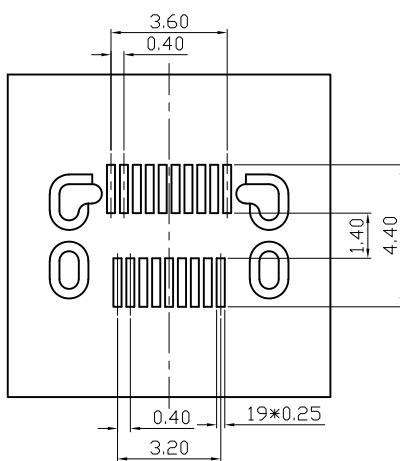
4-4.DIELECTRIC WITHSTAND VOLTAGE:

150V AC/60S(MATED), 250V AC/60S(UNMATED).

5.IR REFLOW:

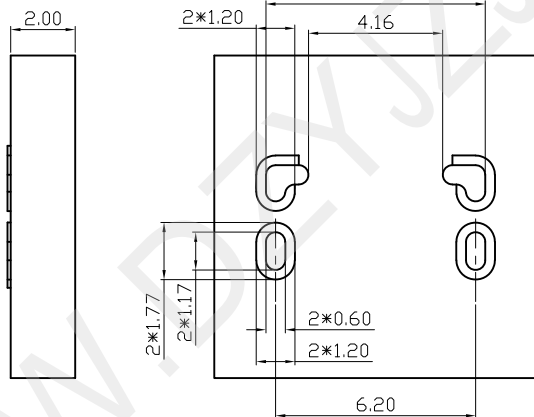
THE PEAK TEMPERATURE ON BOARD SHALL BE MAINTAINED FOR 10 SECONDS AT 260±5°C.

6.OPERATING TEMPERATURE RANGE: -20°C~85°C(WITHOUT LOSS FUNCTION).



TOP

RECOMMENDED PCB LAYOUT
TOLERANCE = ±0.05



BOTTOM

深圳市华宇创精密电子有限公司

TOLERANCE: X.X ±0.30 X.XX ±0.25 X.XXX ±0.15 X: ±2' X.X' ±0.5'	DRAWN BY : 陈一鸣	DATE : 2014-02-23	PART NAME: HDMI D TYPE 母座立贴 7.15H
	CHECKED BY: 马跃	DATE : 2014-02-23	PART NO. HVC46-HDMI19-715
UNIT: mm [inch] SCALE:1:1 SIZE: A4	APPROVED BY: 邱敏	DATE : 2014-02-23	DRAW NO: HVC-2606251046
			SHEET NO. 1 OF 1